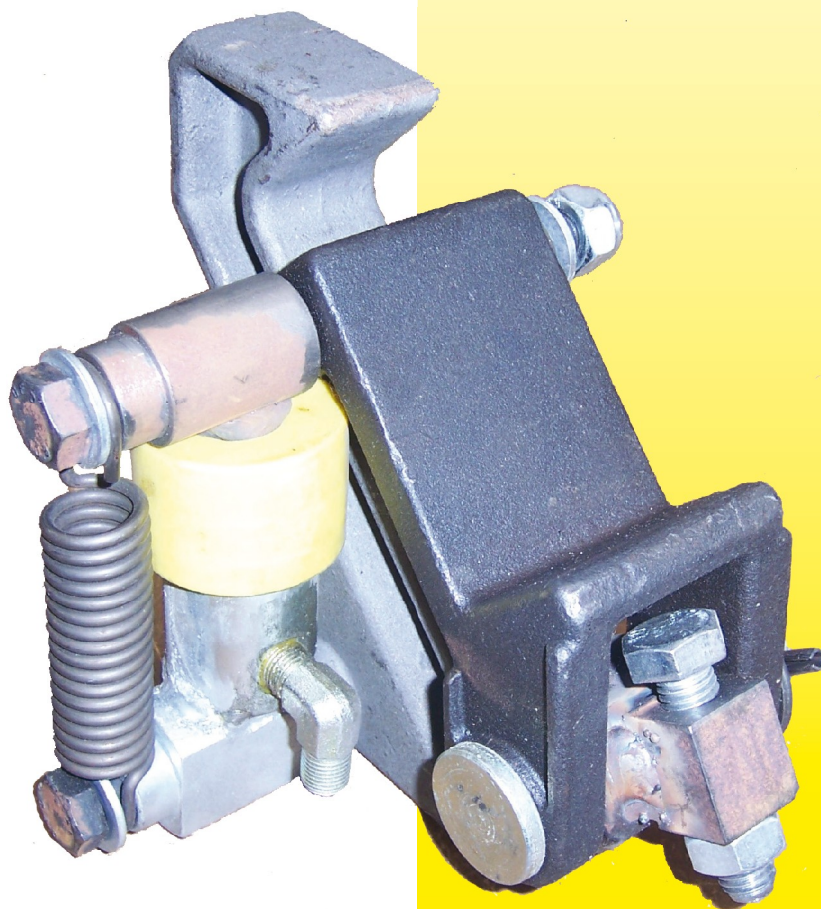




THS

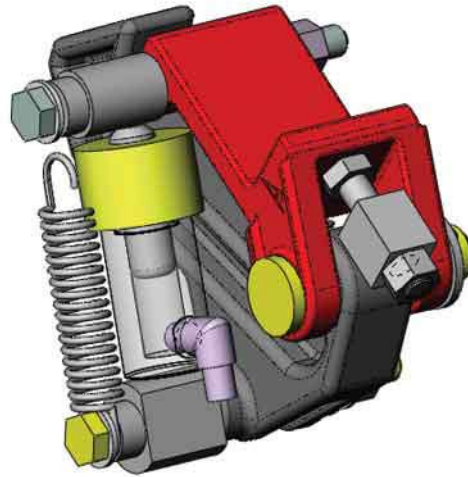
**TRANSPORT
HYDRAULIC
SOLUTIONS**



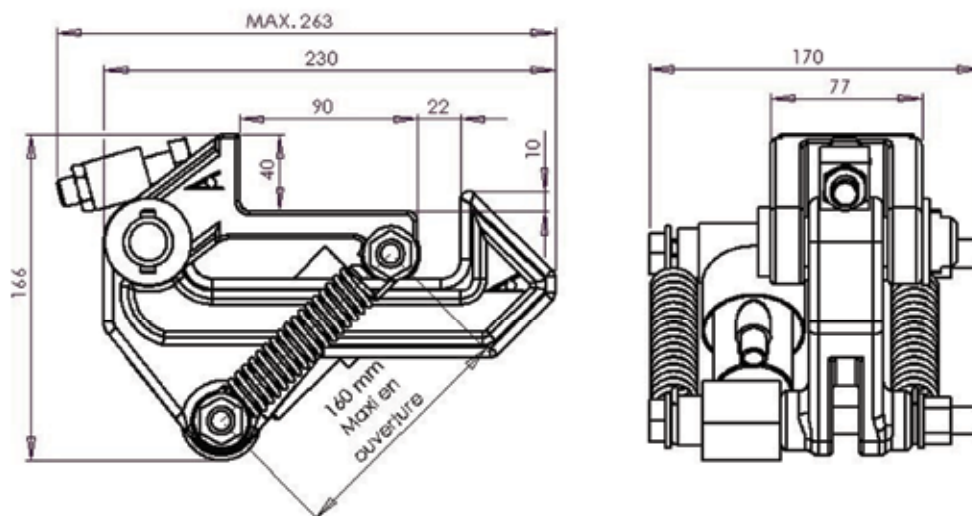
BODYLOCK

Free Call Now
NZ 0800225569 AU 1800225569
www.transporthydraulics.com

HYDRAULIC LOCK



AFH-500-80-048A
Lock Set, Body Lock, Hydraulic Actuator



Notes:

1. Turn adjustment bolt to set the opening distance of the jaw.
2. To work in conjunction with NZH49 Priority Flow Valve.
3. In light duty applications, a return spring may need removal so oil pressure can overcome spring tension before tipping cylinder is actuated.

NZ 0800 22 55 69
AU 1800 22 55 69
www.transporthydraulics.com
sales@transporthydraulics.com

Quote Ref:
Date:
NZ\$



INNOVATION IN MOTION

www.transporthydraulics.com

